



**AKSA Power Generation** has been producing industrial generator sets with an innovative compact design and excellence in quality for over 30 years. AKSA has been providing reliable power through three main production plants and over 15 branch offices worldwide.

**General Characteristics**

Model Name	APD-ULV600
Engine Make	Volvo
Engine Model	TWD1644GE
Alternator Make	Stamford
Control Panel Make & Model	DSE 7320
Frequency & Speed	60Hz, 1800rpm
Enclosure Make & Model	AKSA AUL 71/72



**Genset Rating**

Engine	Alternator	Voltage	Standby Power	Power Factor	Standby Current
TWD1644GE	HCI534F (Wnd-311)	480 / 277V	600kW	0.8	902A
	HCI534F (Wnd-311)	240/120V	590kW	0.8	1774A
	HCI534F (Wnd-311)	208 / 120V	590kW	0.8	2047A
	HCI534E (Wnd-17)	600 / 347V	600kW	0.8	722A

**\*EPA – Certified for Emergency Stationary Applications**

Stand-by Power (Maximum): Power available at variable load in the event of main power network failure. No over load is permitted.  
 Prime Power: Power available at variable load in lieu of a main power network. Overload of 10% is permitted for 1 hour in every 12 hours of operation.  
 The above ratings represent the engine performance capabilities to conditions specified in accordance with ISO 8528/5 & ISO3046.  
**Derating may be required for conditions outside of the test conditions.**

**Codes & Standards**

The Generator set is designed and manufactured in a facility certified to **ISO9001** standards.

The Generator set is designed and manufactured in a facility certified to **ISO14001:2015** standards.

**AKSA Power Generation** provides **single source responsibility** for the generator set & accessories.

The generator set, with its components, are **prototype tested** and **production tested** according to the UL test program.

The generator set meets **NFPA70, 99, 110, 37** Level 1 when equipped with the necessary accessories and installed per NFPA standards.



\*Manufacturer reserves the right to make changes in model, technical specifications, color, equipment and accessories without prior notice.


**Engine Data**

Manufacturer	Volvo Penta
Model	TWD1644GE
Displacement & Cylinders	16.12 L / 6 Cylinders
Engine Speed	1800rpm
Engine Standby Power w/Fan	640 kW
Engine Prime Power w/Fan	582 kW
Aspiration	Turbocharged
Compression Ratio	16.8 : 1
Bore / Stroke	144 mm / 165 mm
Effective Mean Pressure, Standby Power	2.79 Mpa
Max Combustion Pressure, Standby Power	19.5 Mpa
Total Mass Moment of Inertia	4.40 kgm <sup>2</sup>
Friction Power	57 kW
Wet Weight – Engine Only	3990 lb
Wet Weight – w/Frame	6100 lb
Engine Crankcase Vent System	Open

**Fuel System**

Injection Pump Type	Delphi / E3
System Supply Flow	48.9 gal/h
System Return Flow	6.6 gal/h
Max Allowable Inlet Fuel Temp	140 °F

**Fuel Consumption**

Standby Power (100%)	39.4 gal/h
Standby Power (75%)	29.7 gal/h
Standby Power (50%)	20.1 gal/h
Standby Power (25%)	11.3 gal/h

**Electric System**

Voltage & Type	24V, Insulated from Earth
Alternator Make / Output	Bosch / 80A
Battery Qty, Rating	2 x 120Ah

**Cooling System**

Radiator Cooling System Type	Closed Circuit
Fan Power Consumption	34 kW
Coolant Capacity	13.2 gal
Max Top Tank Temperature	225 °F
Thermostat, Start – Fully Open	180–198 °F

**Exhaust System**

Exhaust Gas Temp	923 °F
Max Allowable Back Pressure	10 kPa
Exhaust Gas Flow	114.5 m <sup>3</sup> /min

**Air Intake System**

Air Consumption	4044 cfm
Max Intake Air Restriction	3 kPa
Air Filter Type	Single Stage Paper Cartridge

**Lubrication System**

Total System Capacity	12.7 gal
Sump Capacity Max / Min	11.1 gal / 8.5 gal
Max Oil Temp	261.5 °F
Oil Pressure at Rated Speed	44- 73 psi
Oil Consumption	0.029 gal/h



### Alternator Data

Manufacturer	Stamford
Standards	BS EN 60034
Control System	PMG
A.V.R.	MX341
Voltage Regulation	± 1 %
Insulation System	Class H
Protection	IP23
Rated Power Factor	0.8
Stator Winding	Double Layer Concentric
Winding Pitch	Two Thirds
Winding Leads	12
Telephone Interference	THF < 2 %
Waveform Distortion	No Load < 1.5 %
Maximum Over speed	2250 rev/min

### Battery Charger & Electrical System Data

Manufacturer	ComAp
Model	InteliCharger
Input Voltage	85V ~ 264V AC
Output Voltage / Current	27.2V Float / 2.5A pk

### Jacket Water Heater Data

Manufacturer	Hotstart
Model	CTM25210-N00
Input Voltage	240V
Power	2500W

### Controller Data

Manufacturer	DSE
Model	7320 MK II

### Controller Features & Benefits

- Microprocessor controlled, UL & NFPA110 Compatible
- License free PC Software (Non-proprietary Software)
- IP65 rating offers increased resistance to water ingress
- Modules can be integrated to building management systems
- Real time clock provides accurate event log
- Four line back-lit LCD text display
- Five key menu navigation, two wire start/stop at Auto mode
- Front panel editing with PIN protection
- Support up to three remote display modules
- Configurable timers and alarms
- Multiple date and timer scheduler
- Integral PLC editor
- 'Protections disabled' feature
- Load switching (load shedding and dummy load outputs)
- Fully configurable via DSE Configuration Suite PC Software
- SCADA monitoring via DSE Configuration Suite PC Software

### Protection

- ✓ Gen. Voltage – under / over
- ✓ Gen. Freq. – under / over
- ✓ Engine Speed – under / over
- ✓ Engine Oil Pressure – low
- ✓ Engine Temp – low / high
- ✓ Battery Voltage – low / high
- ✓ Weak Battery
- ✓ Fail to Start / Stop
- ✓ Charge Alternator Fail
- ✓ Over Current & Load (kW/kVAr)
- ✓ Unbalanced Load
- ✓ Independent Earth Fault
- ✓ Reverse Power
- ✓ Loss of Speed Signal

### Instruments

- ✓ Gen. Voltage (L-L/L-N)
- ✓ Gen. Frequency
- ✓ Engine speed
- ✓ Oil Pressure
- ✓ Water Temperature
- ✓ Battery Voltage
- ✓ Run Time
- ✓ Phase Sequence
- ✓ Power monitoring (kWh/kVAh/kVArh)
- ✓ Power (kWh/kVAh/kVArh)
- ✓ Power Factor
- ✓ Generator Current
- ✓ Generator Load (%)
- ✓ Earth Current



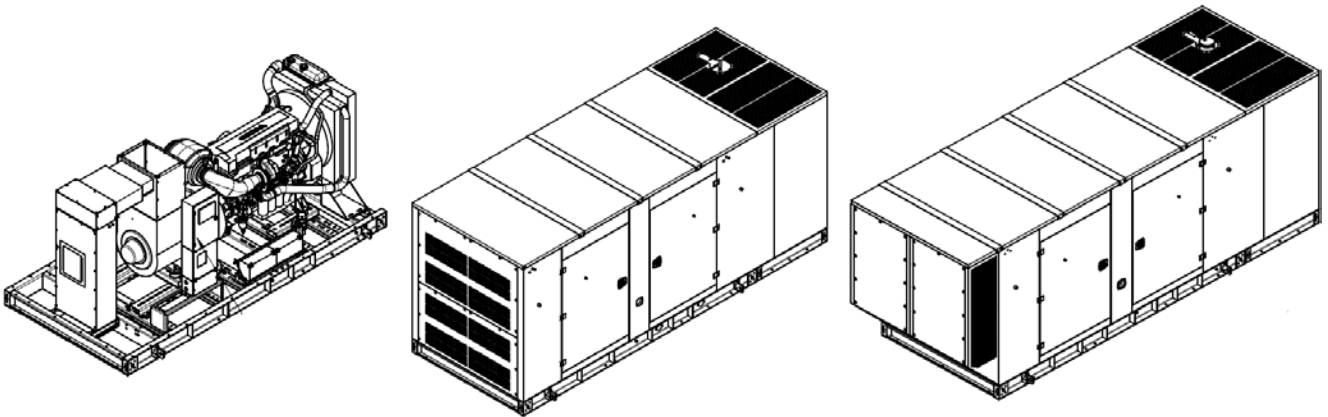
**Enclosure Features**

- ✓ Heavy Duty Steel / Aluminum Structure
- ✓ E-Stop on Enclosure
- ✓ Control Panel Eliminated from Engine Vibrations
- ✓ Standard Sound Attenuation Foam
- ✓ Plastic Covered Corrosion Resistant Locks & Hinges

**Enclosure Features**

- ✓ Internally Mounted Exhaust System with Rain Cap
- ✓ Coolant Fill Cap
- ✓ Removable Base Frame Lifting Hooks
- ✓ Oil & Coolant Drain Ports
- ✓ Easy Access for Maintenance

Open Skid Gen		Level 1 Enclosure		Level 2 Enclosure	
Length	157.5 in	Length	205 in	Length	224.6 in
Width w/o lift hooks	74.8 in	Width w/o lift hooks	77 in	Width w/o lift hooks	77 in
Height	75.8 in	Height	89.9 in	Height	89.9 in
Dry Weight	9745 lb	Dry Weight	14690 lb	Dry Weight	15065 lb
		Sound Pressure @ 7 meters	80 dB(A)	Sound Pressure @ 7 meters	78 dB(A)



**Fuel Tank - UL142 Listed Base Design**

Size	24hr (1000gal)	48hr (2000gal)	72hr (3000gal)
Dimensions (L/W/H) (in)	225 / 74.8 / 22	250 / 74.8 / 36	350 / 74.8 / 36
Weight (lb)	3350	4600	6200

\*Manufacturer reserves the right to make changes in model, technical specifications, color, equipment and accessories without prior notice.

**Standard Features & Accessories**

- ✓ UL2200 Certification
- ✓ Heavy Duty Steel Base Frame
- ✓ PMG w/MX341 AVR
- ✓ Engine Jacket Water Heater
- ✓ Battery and Battery Rack
- ✓ Battery Charger
- ✓ Anti Vibration Pads between Engine/Alternator & Base Frame
- ✓ Critical Grade Silencer Inside Enclosure
- ✓ Residential Grade Silencer Set for Open Skid Sets
- ✓ Exhaust outlet rain cap and radiator fill cap
- ✓ Sound Absorb Foam Material for Enclosure
- ✓ Emergency Stop Button
- ✓ Oil Drain Valve
- ✓ Coolant Drain Valve
- ✓ Jacket Water Heater Isolation Valves
- ✓ Flex Fuel Lines
- ✓ Air Filter Restriction Gauge
- ✓ Engine Manifold Cover
- ✓ Turbocharger Cover
- ✓ Protection Covers for Rotating Parts
- ✓ Exhaust Insulation Cover
- ✓ Enclosure DC Light
- ✓ Operations Manual
- ✓ 24 Months / 2000 hours Limited Standby Warranty

**Optional Accessories**

- Main Line CB (3 / 4 Poles – 80% / 100% rated)
- Upsize Alternator
- Voltage Regulation  $\pm 0.5\%$  w/MX321 AVR
- Anti-condensation Heater
- Sub Base Fuel Tank (UL142 / UL2085)
- Fuel Level Display & Alarm on Controller
- Low / High Fuel Alarms
- Fuel Water Separator Filter
- Auto Fuel Fill Control System
- Oil Temperature Display on Controller
- Manual Speed Adjust Rheostat
- Manual Voltage Adjust Rheostat
- Remote Annunciator Panel
- Remote Control & Monitoring Panel
- Advanced SMS Messaging
- Control Panel Heater
- Battery Disconnect Switch
- Battery Heater
- Battery Charger 10/20 Amp
- Shunt Trip / Aux Contacts
- Spring Anti-vibration Isolators
- Automatic Transfer Panel (ATS)
- 5 Years / 2000 hours Limited Comprehensive Warranty

**AKSA POWER GENERATION USA LLC**

371 Exchange Street, West Monroe,  
Louisiana, 71292

Tel: 318.855.8377 Fax: 318.855.8381

E-mail: sales@aksausa.com

AKSA Power Generation USA is a member of

**KAZANCI HOLDING****DISTRIBUTED BY:**