

AKSA Power Generation has been producing industrial generator sets with an innovative compact design and excellence in quality for over 30 years. AKSA has been providing reliable power through three main production plants and over 15 branch offices worldwide.

Alternator (125 °C Rise)	Voltage	Ph	Pf	Hz	Stand-by Ratings		Prime Ratings	
					kW/kVA	Amp	kW/kVA	Amp
UCI274C Winding #311	480/277V	3	0.8	60	100/125	150	90/112	135
	440/254V	3	0.8	60	100/125	164	90/112	148
	240/139V	3	0.8	60	100/125	301	90/112	271
	240/120V	3	0.8	60	100/125	301	90/112	271
UCI274C Winding #06	208/120V	3	0.8	60	100/125	347	90/112	312
	240/120V	1	1	60	96/96	400	90/90	375



Rating Definition

Stand-by Power (Maximum): Power available at variable load in the event of main power network failure. **No over load is permitted.**

Prime Power: Power available at variable load in lieu of a main power network. Overload of 10% is permitted for 1 hour in every 12 hours of operation.

The above ratings represent the engine performance capabilities to conditions specified in accordance with ISO 8528/5 & ISO3046.

Derating may be required for conditions outside of the test conditions.

Codes & Standards

U.S.EPA

EPA Certified Tier3 for Emergency Stationary Applications.



The Generator set is **UL2200 listed**. Dual wall **UL142** listed fuel tanks are also available.



The Generator set is designed and manufactured in a facility certified to **ISO9001** standards.



The Generator set is designed and manufactured in a facility certified to **ISO14001:2004** standards.



The Generator meets **NFPA70, 99, 110, 37** Level 1 when equipped with the necessary accessories and installed per NFPA standards.

Standard Features

AKSA Power Generation provides **single source responsibility** for the generator set & accessories.

The generator set, with its components, are **prototype tested** and **production tested** according to the UL test program.

John Deere heavy duty four cycle industrial diesel engine delivers low emission, reliable power, fuel efficiency and fast response to load changes.

Newage Stamford industrial generators meet the requirements of BS EN 60034 and the relevant sections of other international standards such as BS5000, VDE0530, NEMA MG1-32, IEC34, CSA C22.2-100, AS1359.

Non-proprietary NFPA110 compliant **control system** provides total gen-set system integrated control, protections, metering, automatic starting/stopping with options of remote control, remote display or remote annunciation.

Heavy duty base frame with integral pad **vibration isolators** eliminates the need for under unit spring vibration isolators.

Engine Data

Manufacturer	John Deere
Model	4045HF285
Cylinders	4, In-line
Max. power @ rated rpm; kWm (BHP)	118 (158)
Brake mean effective pressure; kPa	1748
Aspiration & Cooling	Turbocharged
Total displacement; L (in ³)	4.5 (275)
Bore; in. (mm)	4.19 (106)
Stroke; in. (mm)	5.0 (127)
Compression ratio	19:1
Governor type	Electronic
Engine crankcase vent system	Open

Engine Electrical System

Charging alternator	12V, Negative Ground
Starter rolling current @32 °F; (amp)	920
Min. voltage at ECU during cranking; (dc)	6
Max. allowable start circuit resistance; (Ohm)	0.0012
Starter motor rated voltage; (dc)	12
Battery quantity x rating & CCA	1 x 60Ah, 800

Fuel System

ECU Description	L16 Controller
Fuel injection pump	Denso HP3
Governor Type	Electronic
Total fuel flow; lb/hr	140
Fuel temp rise, inlet to return; °C	49
Max fuel inlet temp; °C	80
Max fuel inlet restriction; in.H ₂ O (kPa)	80 (20)
Max. fuel return pressure; in.H ₂ O (kPa)	80 (20)

Fuel Consumption (gal/hr)

110% Load	8.21
100% Load	7.55
75% Load	6.02
50% Load	4.30

Exhaust System

Exhaust gas flow; (m ³ /min)	22.8
Max. exhaust restriction; (kPa)	7.5
Max. exhaust gas temp; (°C)	580
Max. bending moment on turbo outlet; (lb-ft)	5.2

Cooling System

Radiator ambient temp; °C (°F)	50 (122)
Engine coolant capacity; L	8.5
Min. coolant fill rate; L/min (gal/min)	11 (3)
Thermostat operation range; °C	82-95
Max top tank temp; °C	110
Min. air to boil temp; °C	47
Cooling fan type	Pusher
Min. pressure cap; (psi)	14.5
Combustion air flow; m ³ /min	8.16
Intake manifold pressure; (psi)	24
Engine coolant flow; L/min (gal/min)	180 (48)
Engine heat rejection; BTU/min	3544
Air cleaner efficiency	99.9%

Lubrication System

Oil pressure @rated speed; psi	46
Oil pressure at low idle; psi	15
Max. oil carryover in blow by; lb/hr	0.002
Max. air flow in blow by; gal/min	26
Max. crankcase pressure; in. H ₂ O (kPa)	2 (0.5)

Alternator Data

Manufacturer	Stamford	
Model		
Winding #311	UCI274C	
Winding #06	UCI274C	
Design	4 Pole, drip proof rotating field	
Exciter type	Brushless, self excited P.M.G. option is available	
Stator	2/3 winding pitch	
Rotor	Single bearing, flexible disc	
Leads		
Winding #311	12	
Winding #06	4	
Voltage regulator	Solid state, Volts/Hz	
Voltage regulation	Self excited 1.5%	
Insulation	PMG 1% Class H	
Protection	IP23	
Temp. rise @ 40°C ambient	125°C Prime 150°C Standby	
Alternator Cooling	Direct drive Centrifugal Blower	
Waveform distortion	No load < 1.5% Non-distorting balanced linear load < 5%	
Max. over-speed; rev/min	2250	
Telephone influence factor (TIF)	< 50	
Telephone harmonic factor (THF)	< 2%	
Sustained short circuit current 10sec; (amp)		
Winding #311 – Star	550	
Winding #311 – Parallel Star	1100	
Winding #06 – Dedicated 1 phase	1750	

Control System



DSE7320 is an advanced control system, suitable for a wide variety of single, diesel or gas, gen-set applications. Monitoring and an extensive number of engine parameters, the module displays warnings, shutdowns and engine status information on the back lit LCD screen, illuminated LEDs, remote PC and via SMS text alerts (with external modem).

- UL recognized, NFPA110 Level 1 compatible
- LCD text display, key menu navigation and front panel editing
- Off/Manual/Auto model switch
- Two wire starting/stopping in Auto mode
- Engine exerciser
- IP65 front panel rating with supplied sealing gasket
- Configurable 9 inputs, 8 outputs with expansion capability
- Real time clock provides accurate event logging
- Fully configurable via DSE Configuration Suite PC software
- Remote SCADA monitoring and BMS integration features
- License free PC software

Protections

- Gen. Voltage - under/over
- Gen. Frequency - under/over
- Engine Speed - under/over
- Engine Oil pressure - low
- Engine Temp. - low/high
- Battery Voltage - low/high
- Weak battery
- Fail to start/stop
- Charge fail
- Over current & load(kw/kVAr)
- Unbalanced load
- Independent Earth Fault
- Reverse Power
- Fuel level - low/high (optional)
- Loss of speed signal

Instruments

- Gen. Voltage (L-L/L-N)
- Gen Frequency
- Engine Speed
- Oil Pressure
- Water Temperature
- Battery Voltage
- Run time
- Engine maintenance due
- Phase sequence
- Pwr. monitoring (kWh / kVAh / kVArh)
- Power (kW/kVA/kVAr)
- Power factor
- Gen. Current (L1-L2-L3)
- Earth current

Locked rotor kVA (skVA) @30% voltage dip

	Self Excited	PMG Excited
480/277V - 3ph	340	420
208/120V - 3ph	250	350
240/120V - 1ph	290	360

Standard Features & Accessories

- UL2200 Listing
- Sound Attenuated Steel Enclosure
- 150mph Wind Rating
- Heavy Duty Steel Base-frame
- Anti-vibration pads
- Residential Grade Silencer Inside Enclosure
- Flex Fuel Lines
- Oil Drain Valve & Extension
- Emergency Stop Switch
- Battery, Battery Rack & Cables
- Battery Charger (4 Amp)
- Main Line CB (80% rated)
- Jacket Water Heater (1000W)
- Operations Manual
- 2 Years / 2000hours Limited Warranty

Optional Accessories

- Upsized Alternator
- PMG Excitation
- Alternator Anti-condensation Heater
- Manual Speed Adjust
- Sub Base Fuel Tank (UL142 / UL2085)
- Low Fuel & Fuel Leak Alarms
- Fuel Level Monitoring on Controller & High Fuel Alarm
- Spring Anti-vibration pads
- Critical Grade Silencer
- Fuel Line Check Valve
- Oil Temperature Gauge
- Remote Emergency Stop Switch
- Battery Restraint
- Battery Charger 10/20Amp per NFPA110
- Main Line CB (100% rated)
- Main Line CB Shunt Trip
- Remote Serial Display Panel
- Remote Annunciation Panel (8/16/24 lights)
- 5 Years / 2000hours Limited Warranty

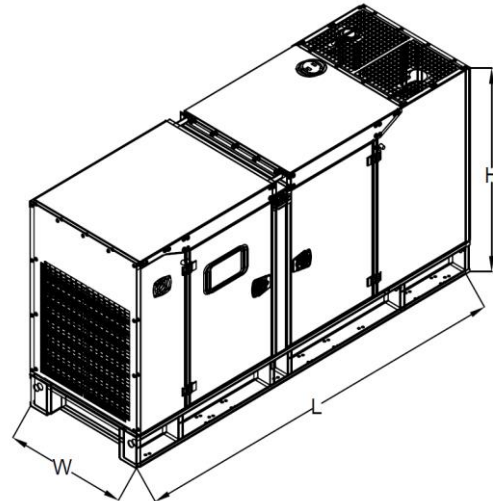
Dimensions & Weight & Sound Level

Gen-set Without Fuel Tank

Type	Open	Enclosed	
		Level-1	Level-2
L (in.)	116	146	146
W (in.)	43	43	43
H (in.)	50	61	76
Weight (lb)	3200	4350	4900
Sound Level (dBA@23ft)		74.5	71.5

Fuel Tank – UL142

	24h(190gal)	48h(400gal)	72h(590gal)
L (in.)	160	160	160
W (in.)	43	43	43
H (in.)	13	24	32
Weight (lb)	1400	1850	2200



*Manufacturer reserves the right to make changes in model, technical specifications, color, equipment and accessories without prior notice.



AKSA POWER GENERATION USA LLC
371 Exchange Street, West Monroe, LA 71292

Tel: 318.855.8377

Fax: 318.855.8381

E-mail: sales@aksausa.com

AKSA Power Generation USA is a member of



KAZANCI HOLDING