

AKSA Power Generation has been producing industrial generator sets with an innovative compact design and excellence in quality for over 30 years. AKSA has been providing reliable power through three main production plants and over 15 branch offices worldwide.

Alternator (125 °C Rise)	Voltage	Ph	Pf	Hz	Stand-by Ratings		Prime Ratings	
					kW/kVA	Amp	kW/kVA	Amp
PI144H Winding #311	480/277V	3	0.8	60	30/37	45	27/34	41
	440/254V	3	0.8	60	30/37	49	27/34	44
	240/139V	3	0.8	60	30/37	90	27/34	81
	240/120V	3	0.8	60	30/37	90	27/34	81
PI144H Winding #06	208/120V	3	0.8	60	30/37	105	27/34	94
	240/120V	1	1	60	30/30	125	27/27	112



Rating Definition

Stand-by Power (Maximum): Power available at variable load in the event of main power network failure. No over load is permitted.

Prime Power: Power available at variable load in lieu of a main power network. Overload of 10% is permitted for 1 hour in every 12 hours of operation.

The above ratings represent the engine performance capabilities to conditions specified in accordance with ISO 8528/5 & ISO3046.

Derating may be required for conditions outside of the test conditions.

Codes & Standards

U.S.EPA

EPA Certified Tier4 Interim for Emergency Stationary Applications.



The Generator set is **UL2200 listed**. Dual wall **UL142** listed fuel tanks are also available.



The Generator set is designed and manufactured in a facility certified to **ISO9001** standards.



The Generator set is designed and manufactured in a facility certified to **ISO14001:2004** standards.



The Generator meets **NFPA70, 99, 110, 37** Level 1 when equipped with the necessary accessories and installed per NFPA standards.

Standard Features

AKSA Power Generation provides **single source responsibility** for the generator set & accessories.

The generator set, with its components, are **prototype tested** and **production tested** according to the UL test program.

Perkins heavy duty four cycle industrial diesel engine delivers low emission, reliable power, fuel efficiency and fast response to load changes.

Newage Stamford industrial generators meet the requirements of BS EN 60034 and the relevant sections of other international standards such as BS5000, VDE0530, NEMA MG1-32, IEC34, CSA C22.2-100, AS1359.

Non-proprietary NFPA110 compliant **control system** provides total gen-set system integrated control, protections, metering, automatic starting/stopping with options of remote control, remote display or remote annunciation.

Heavy duty base frame with integral pad **vibration isolators** eliminates the need for under unit spring vibration isolators.

Engine Data

Manufacturer	Perkins
Model	404D-22TAG
Cylinders	4, Vertical in-line
Max. power @ rated rpm; kWm (BHP)	36.4 (48.8)
Brake mean effective pressure; kPa	1095.4
Aspiration & Cooling	Turbo charged air to air charge cooling
Total displacement; L (in ³)	2.216 (135.2)
Bore; in. (mm)	3.3 (84)
Stroke; in. (mm)	3.9 (100)
Compression ratio	23.3:1
Governor type	Mechanical
Rotation	Anti-clockwise viewed on flywheel

Engine Electrical System

Charging alternator	12V, Negative Ground
Alternator rating; (amp)	65
Starter motor rated voltage; (dc)	12
Battery quantity x rating	1 x 54Ah
Battery cold cranking amps;	410

Fuel System

Type of injection	Indirect
Fuel injection pump	Cassette type
Fuel supply connection size	3/8" NPT
Fuel return connection size	1/4" NPT
Max. fuel lift; m (ft)	3 (9.84)
Fuel prime pump	Manual
Max. fuel flow; L/h (gal/h)	63 (16.6)
Fuel lift pump pressure; kPa	10
Fuel filter & water separator	Available

Fuel Consumption (gph)

110% Load	2.7
100% Load	2.4
75% Load	1.7
50% Load	1.2

Exhaust System

Exhaust gas flow; (m ³ /min)	8.4
Max. back pressure; (kPa)	10.2
Max. exhaust gas temp; (°C)	478
Exhaust outlet size; (mm)	42

Cooling System

Radiator ambient temp; °C (°F)	50 (122)
Coolant capacity; L (gal)	9.3 (2.4)
Coolant pump drive	Gear
Thermostat operation range; °C	82-95
Max top tank temp; °C	112
Cooling fan type	Pusher
Cooling fan material	Plastic
Combustion air flow; m ³ /min	2.49
Engine coolant flow; L/min (gal/min)	56.2 (14.9)
Energy to coolant and oil; kWt	37.7
Energy to ambient; kWt	4.6
Energy to cooling fan; kWt	0.7
Air filter	Dry element

Lubrication System

Oil capacity; L (gal)	10.6 (2.8)
Oil cooler	Water cooled
Oil filter	Spin on, replaceable
Oil temp (continuous operation); °C	125
Oil flow at rated speed; L/min	15.2

Alternator Data

Manufacturer	Stamford
Model	
Winding #311	PI144H
Winding #06 – Dedicated 1 phase	PI144H
Design	4 Pole, drip proof rotating field
Exciter type	Brushless, self excited EBS option is available
Stator	2/3 winding pitch
Rotor	Single bearing, flexible disc
Leads	
Winding #311	12
Winding #06	4
Voltage regulator	Solid state, Volts/Hz
Voltage regulation	
Self excited	1%
Insulation	Class H
Temp. rise @ 40°C ambient	125°C Prime 150°C Standby
Alternator Cooling	Direct drive centrifugal blower
Cooling air; m ³ /min	0.108
Waveform distortion	No load < 1.5%
	Non-distorting balanced linear load <5%
Max. over-speed; rev/min	2250
Telephone influence factor (TIF)	<50
Telephone harmonic factor (THF)	<2%
Sustained short circuit current 10sec with EBS fitted; (amp)	
Winding #311 – Star	191
Winding #311 – Parallel Star	382

Control System



DSE7320 is an advanced control system, suitable for a wide variety of single, diesel or gas, gen-set applications. Monitoring and an extensive number of engine parameters, the module displays warnings, shutdowns and engine status information on the back lit LCD screen, illuminated LEDs, remote PC and via SMS text alerts (with external modem).

- UL recognized, NFPA110 Level 1 compatible
- LCD text display, key menu navigation and front panel editing
- Off/Manual/Auto model switch
- Two wire starting/stopping in Auto mode
- Engine exerciser
- IP65 front panel rating with supplied sealing gasket
- Configurable 9 inputs, 8 outputs with expansion capability
- Real time clock provides accurate event logging
- Fully configurable via DSE Configuration Suite PC software
- Remote SCADA monitoring and BMS integration features
- License free PC software

Protections

- Gen. Voltage - under/over
- Gen. Frequency - under/over
- Engine Speed - under/over
- Engine Oil pressure - low
- Engine Temp. - low/high
- Battery Voltage - low/high
- Weak battery
- Fail to start/stop
- Charge fail
- Over current & load(kW/kVA_r)
- Unbalanced load
- Independent Earth Fault
- Reverse Power
- Fuel level - low/high (optional)
- Loss of speed signal

Instruments

- Gen. Voltage (L-L/L-N)
- Gen Frequency
- Engine Speed
- Oil Pressure
- Water Temperature
- Battery Voltage
- Run time
- Engine maintenance due
- Phase sequence
- Pwr. monitoring (kWh / kVAh / kVA_rh)
- Power (kW/kVA/kVA_r)
- Power factor
- Gen. Current (L1-L2-L3)
- Earth current

Locked rotor kVA (skVA) @30% voltage dip

	Self Excited
480/277V - 3ph	84
208/120V - 3ph	56

Standard Features & Accessories

- UL2200 Listing
- Sound Attenuated Steel Enclosure
- Heavy Duty Steel Base-frame
- Anti-vibration pads
- Residential Grade Silencer Inside Enclosure
- Flex Fuel Lines
- Oil Drain Valve & Extension
- Emergency Stop Switch
- Battery, Battery Rack & Cables
- Battery Charger (4 Amp)
- Main Line CB (80% rated)
- Jacket Water Heater (500W)
- Operations Manual
- 2 Years / 2000hours Limited Warranty

Optional Accessories

- Upsized Alternator
- Alternator Anti-condensation Heater
- Manual Speed Adjust
- Sub Base Fuel Tank (UL142 / UL2085)
- Low Fuel & Fuel Leak Alarms
- Fuel Level Monitoring on Controller & High Fuel Alarm
- Spring Type Anti-vibration pads
- Critical Grade Silencer
- Fuel Line Check Valve
- Oil Temperature Gauge
- Remote Emergency Stop Switch
- Battery Restraint
- Battery Charger 10/20Amp per NFPA110
- Main Line CB (100% rated)
- Main Line CB Shunt Trip
- Remote Serial Display Panel
- Remote Annunciation Panel (8/16/24 lights)
- 5 Years / 2000hours Limited Warranty

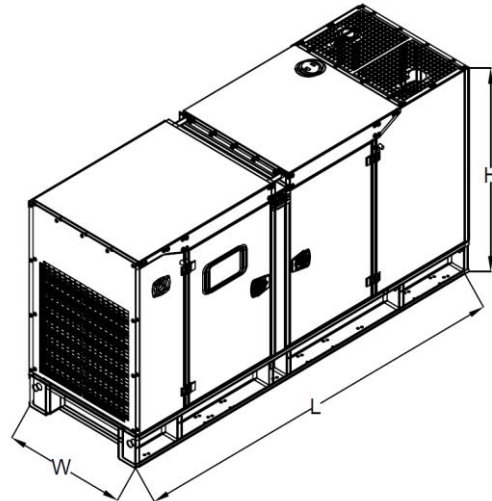
Dimensions & Weight & Sound Level

Gen-set Without Fuel Tank

	Open Type	Enclosed Type
L (in.)	72	89
W (in.)	40	40
H (in.)	44	67
Weight (lb)	1450	1950
Sound Level (dBA@23ft)		66

Fuel Tank – UL142

	24h(65gal)	48h(130gal)	72h(190gal)
L (in.)	112	112	112
W (in.)	40	40	40
H (in.)	9	15	20
Weight (lb)	850	1030	1200



*Manufacturer reserves the right to make changes in model, technical specifications, color, equipment and accessories without prior notice.



AKSA POWER GENERATION USA LLC
 371 Exchange Street, West Monroe, LA 71292
 Tel: 318.855.8377
 Fax: 318.855.8381
 E-mail: sales@aksausa.com
 AKSA Power Generation USA is a member of

